

HAVAHART® CRITTER RIDDER® MOTION-ACTIVATED ANIMAL REPELLENT & SPRINKLER OPERATING MANUAL

PLEASE READ THE INSTRUCTIONS PRIOR TO USING THIS PRODUCT.

1. Product Description

The Critter Ridder® Motion-Activated Repellent drives unwanted animals such as small and large birds, dogs, cats, raccoons and opossums away from your garden or property. When the built-in sensor detects the animal's heat and movement within a range of up to 100 feet (depending on conditions), the jet of water is activated for approximately 5 seconds. Most animals are disturbed by this jet of water and leave the area immediately.

Sprinkler option: This unit can also be used as a sprinkler unit for watering gardens and lawns. The unit can be set to SPRINKLER for a continuous spray and be turned OFF by switching the dial.

2. Package Contents

- 1 sprinkler head
- 1 sensor housing
- 1 plastic pipe
- 1 metal spike including water hose connection
- 1 operating manual

3. Power Supply

- Remove the battery cover from the battery compartment.
- Insert 2 new batteries, size 'AA', into the battery compartment. Ensure correct polarity as indicated in the battery compartment.
- Push the battery cover back in place under the unit. Make sure you hear a click to know the door is properly secure.

NOTICE

Batteries self-discharge during storage. This may mean that the full capacity is not available at first use, which can result in a shortened service life. Furthermore, the recharge capacity of rechargeable batteries can decrease after extended use. Should the device fail to function properly, check the voltage of the installed batteries and replace them if required.

4. Commissioning

SPRINKLER UNIT INSTALLATION

Screw the sprinkler head onto the thread on the top of the sensor housing. Gently tightening the connection by hand is sufficient in order to prevent leaks. CAUTION: avoid using excessive force while tightening as this may damage threads and cause leaks. ONLY HAND TIGHTEN the sprinkler head. Do not use a wrench or other tool to tighten.

VALVE FUNCTION

In order to test the device, turn the sensitivity switch on the back of the sensor housing clockwise to HIGH. Now move your hand across the front of the motion sensor. A clicking noise should be heard.

That clicking noise is the water valve opening. Another click will be heard approximately 5 seconds later. The second click is the valve closing. If you heard both clicks, your unit is working properly. If you didn't hear both clicks, wait 8 seconds and wave your hand in front of the unit again to make sure it is working properly. If you do not hear any clicks, you need to check your batteries.

METAL SPIKE INSTALLATION

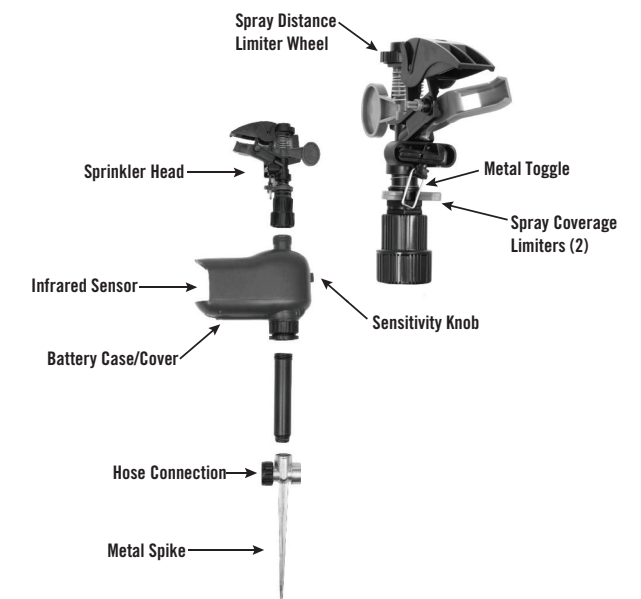
Now thread the metal spike to the pipe and attach it to the bottom of the sensor housing using your hands only to tighten the metal spike CAUTION: avoid using excessive force while tightening as this may damage threads and cause leaks.

Now insert the metal spike of the device into the soil, ensuring that the sprinkler faces in the directions from which the device is to be activated. Avoid pushing on the housing unit while doing this to avoid putting pressure on the connections. Push on the pipe and metal spike to get the unit into the ground. Loosen the soil with a garden spade if the soil in your yard is hard.

SETTINGS

Adjust the sensor sensitivity at the back of the device between the following settings: 1, 2, 3, and 4. The higher the number, the higher sensitivity. Higher sensitivity settings should be used for small animals such as squirrels or rabbits. Larger animals such as deer can be sensed with lower sensitivity. If the unit is having false triggers from movement other than animals, the sensitivity should be reduced. You will also find settings for OFF and SPRINKLER. SPRINKLER allows you to use this device as a watering sprinkler for your garden or lawn.

Make sure unit is set to OFF before adding batteries. Connect your garden hose to the connector on the metal spike. You do not have to turn on the water in order to adjust the device. (If the ambient sound level is too high to hear the clicking sound of the valve, you may turn on the water to test the device). Move in front of the sensor detection range and adjust the sensor sensitivity on the back of the device until the desired range is achieved. In order to adjust the distance covered by the jet of water, turn the spray distance limiter wheel on the top of the sprinkler unit. (MIN. < - > MAX.) The jet of water has a maximum range of up to 35 feet, depending on the water pressure.

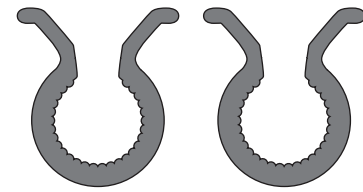


SPRAY COVERAGE LIMITERS

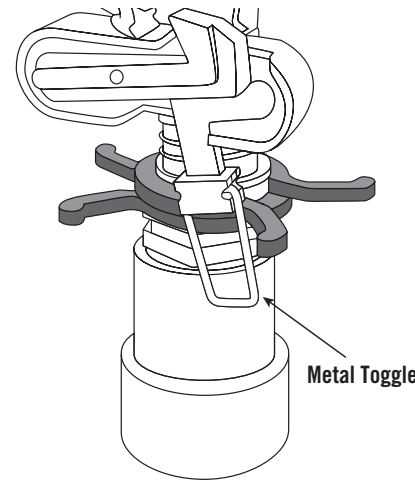
Now you can adjust the sprinkler jet angle by changing the spacing of the spray coverage limiters. Spread them slightly so that you can turn them more easily.

Position the spray coverage limiters so that the metal toggle works between the two limiters and the sprinkler faces in the desired direction. The further apart the spray coverage limiters are, the wider the range covered by the sprinkler. During operation, the sprinkler head can independently move back and forth between the spray coverage limiters.

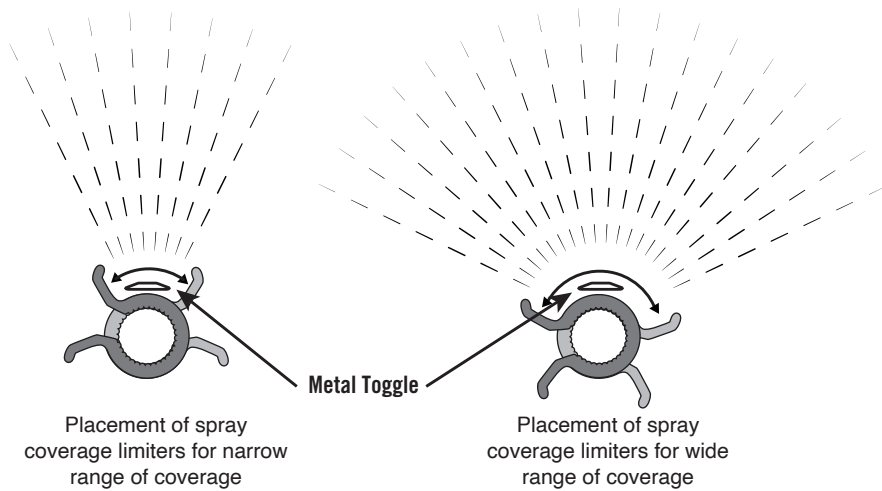
Now turn on the water. The device is ready to use.



Spray coverage limiters (2)



Metal toggle hits the spray coverage limiters then flips the sprayers direction of travel



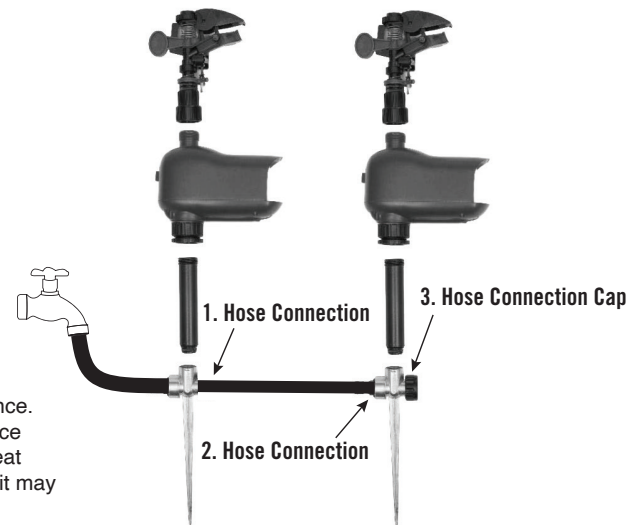
Placement of spray coverage limiters for narrow range of coverage

Placement of spray coverage limiters for wide range of coverage

CONNECTING MULTIPLE UNITS

Linking multiple units:

1. Remove hose connection cap and fasten a hose to the Hose Connection
2. Fasten the other side of the hose to the next Hose Connection
3. Attach the Hose Cap to the end of the line



5. Detection Range of the PIR Motion Detector

The following information on the PIR motion detector serves as a reference. Variable parameters, such as weather and environment, have an influence on the sensitivity of the sensor. This unit works by sensing the targets heat signature and on very hot days (roughly 95F degrees and higher) the unit may be less sensitive.

PIR-Sensor:

Detection Angle: Approx. 75 degrees (dependent on the weather and ambient conditions)

Range: Up to 100 feet (dependent on the weather and ambient conditions)

6. Precautionary Measures

Do not direct the device at neighboring properties or areas with public access.

It is only intended for use on your own private property. The animal deterrent is designed to solve animal problems with free-roaming, stray animals or animals not on a leash.

Make sure to use only your hands to tighten connectors and the sprinkler head to avoid over tightening, which causes leaking issues. Do not use a wrench or other tool.

7. Safety Instructions

IMPORTANT: Any damage caused by failure to observe the instructions for use voids the warranty. WOODSTREAM CORPORATION assumes no liability for resulting consequential damages.

- The device may only be operated at the specified voltage.
- Please note that operating or connection errors are beyond the control of Woodstream and that no liability can be assumed for any resulting consequential damages.
- In any case, verify that the device is suitable for the respective installation location.
- This device is not suitable for use by persons (including children) with limited physical, sensory or mental capabilities or with a lack of experience or knowledge, unless they are supervised and have been instructed in the use of the device by a person responsible for their safety.
- Children should be supervised in order to ensure that they do not play with the device.

8. Warranty

This warranty, two (2) years from the purchase of the unit, is extended only to the original purchaser/user of product.

Woodstream Corp. warrants its products to be free from defects in materials and workmanship for the warranty period by the original purchaser/user. For warranty service, please contact our Customer Service at (855) 5-HAVAHART. Please indicate the nature of the defect. If Woodstream Corp. determines there may be a defect, Woodstream Corp. will issue a Return Goods Authorization (RGA) number. The defective unit or parts must be returned for warranty inspection using the RGA number, when applicable, as identification within (30) days of return authorization date. DO NOT return products to our factory without our prior consent, as they, as well as C.O.D. shipments will be refused. Woodstream Corp., at its option, shall replace the unit, or replace the defective part(s) and return such unit to you. Woodstream Corp.'s sole obligation and your exclusive remedy under this warranty shall be limited to such replacement. Limitations and Exclusions: The warranty shall not apply to problems arising from normal wear, or failure to adhere to the enclosed instructions. In addition, the foregoing warranty shall not apply to serial numbered products if the serial number has been removed or defaced; products subject to negligence, accident, improper operation, maintenance or storage; products damaged by circumstances beyond Woodstream Corp.'s control; or products modified (including, but not limited to modifications through the use of unauthorized parts or attachments) or repaired by anyone other than Woodstream Corp. or its designer. The foregoing warranty is exclusive and in lieu of all other warranties, express or implied, including without limitation the implied warranties of merchantability and fitness for a particular purpose. It shall not extend beyond the duration of the express warranty provided herein, and the remedy for violations of any warranty shall be limited to repair or replacement of the defective product pursuant to the terms contained herein. Woodstream Corp. shall not be liable for any consequential or incidental damages whatsoever. This warranty gives you specific legal rights and you may also have other legal rights which may vary based on location.

Visit us at:

www.Havahart.com

FCC

CRITTER RIDDER® MOTION-ACTIVATED ANIMAL REPELLENT & SPRINKLER – 5277

This device complies with Part 15 of the FCC rules. Operation is subject to the following two conditions: (1) This device may not cause harmful interference, and (2) this device must accept any interference received, including interference that may cause undesired operation.

Warning: Changes or modifications to this device not expressly approved by Woodstream Corporation could void the user's authority to operate the equipment.

NOTE: This equipment has been tested and found to comply with the limits for a Class B digital device, pursuant to part 15 of the FCC Rules. These limits are designed to provide reasonable protection against harmful interference in a residential installation. This equipment generates, uses, and can radiate radio frequency energy and, if not installed and used in accordance with the instructions, may cause harmful interference to radio communications. However, there is no guarantee that interference will not occur in a particular installation. If this equipment does cause harmful interference to radio or television reception, which can be determined by turning the equipment off and on, the user is encouraged to try to correct the interference by one or more of the following measures:

- Reorient or relocate the receiving antenna
- Increase the separation between the equipment and receiver
- Connect the equipment into an outlet on a circuit different from that to which the receiver is connected
- Consult the dealer or an experienced radio/TV technician for help

Woodstream Corporation

69 North Locust Street, Lititz, PA 17543

800-800-1819

CANADA ITE

CAN ICES-3 (B)/NMB-3(B)