



Vehicle Barrier

The 5 Minute Installation

Contents

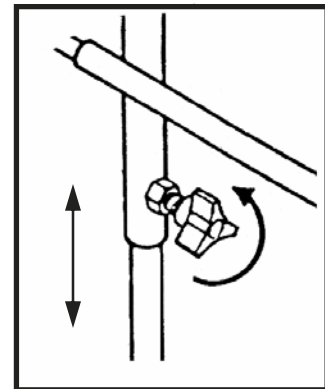
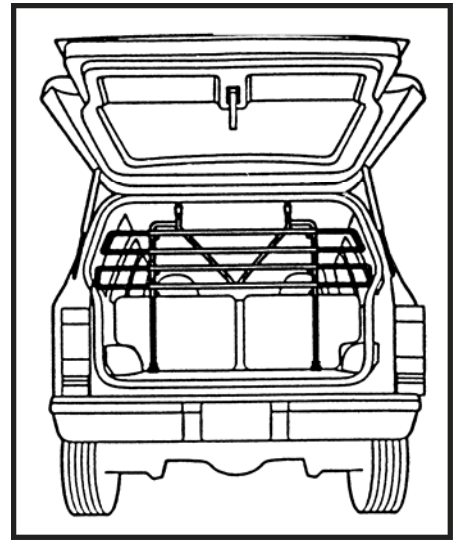
- (1) Vehicle Barrier Grill
- (1 set) short legs (2 pieces) 21"
- (1 set) long legs (2 pieces) 32"
- (1 set) adjustable feet (with wing nuts)
- (2) rubber end caps (on top of each V)

Adjusting Height

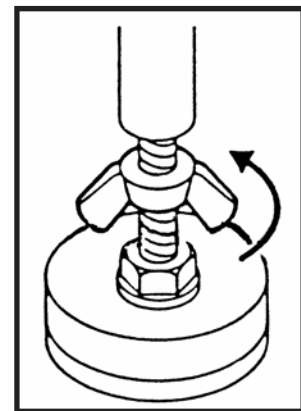
1. Loosen plastic set screws on each leg (by turning them counterclockwise).
2. Select set of legs appropriate for your car (see back for chart).
3. Slide each leg up into the hollow vertical tubes on either side of the barrier grill.
4. Stand the barrier grill inside your car where you want it to be and lift it to the roof. The legs will slide down from the sleeve of the tubes.
5. Tighten each plastic set screw, making sure the barrier grill is pressing snugly against roof and floor. Make sure set screws are very tight before proceeding to next step.
6. Turn the wing nuts located at the bottom of each leg counterclockwise to ensure snug fit (if the bottom caster extends more than 2" below the leg, go back and readjust the legs as described above in step 5).

Adjusting Width

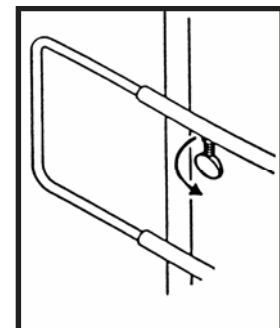
1. Loosen thumb screws on each horizontal extension at least 2 complete turns. Be sure screws are retracted far enough that they won't scratch the coating when tubes are slid out.
2. Extend the horizontal extensions on each side of the barrier grill until they are about 1" from the sides of the car.
3. Tighten each thumb screw.



Height-Step 5



Height-Step 6



Width-Step 1

BARRIER SIZE CHART

<i>Make</i>	<i>Model</i>		<i>Leg Size</i>
Audi	100S	Wagon	21"
BMW	525i	Wagon	21"
Buick	Century	Wagon	21"
Chevy	Astro	Van	32"
	Blazer	4WD	21"
	Blazer, full size	4WD	32"
	Caprice	Wagon	21"
	Cavalier	Wagon	21"
	Celebrity	Wagon	21"
	Lumina	Van	21"
	Suburban	4WD	32"
	Van, full size	Van	32"
Chrysler	Colt Vista	Wagon	32"
	Reliant	Wagon	21"
	Town & Country	Van	32"
Daihatsu	Rocky	4WD	32"
Dodge	Caravan	Van	32"
	Ram Charger	4WD	32"
	Ram Van	Van	32"
Ford	Aerostar	Van	32"
	Bronco	4WD	32"
	Bronco II	4WD	21"
	Crown Victoria	Wagon	21"
	Econoline	Van	32"
	Escort	Wagon	21"
	Explorer	4WD	21"
	LTD	Wagon	21"
	Taurus	Wagon	21"
	Windstar	Van	32"
GEO	Tracker	4WD	32"
GMC	GMC	4WD	32"
	Jimmy	4WD	21"
	Safari	Van	32"
	Typhoon	4WD	32"
	Van	Van	32"
	Yukon	4WD	32"
Isuzu	Trooper	4WD	32"
Jeep	Cherokee	4WD	21"
	CJ-5	4WD	32"
	Eagle Summit	Wagon	21"
	Grand Cherokee	4WD	21"
	Laredo	4WD	21"
	Wrangler	4WD	32"

<i>Make</i>	<i>Model</i>		<i>Leg Size</i>
Kia	Kia	4WD	21"
Mazda	MVP	Van	32"
	Navajo	4WD	21"
Mercedes	300 TE	Wagon	21"
	E 320	Wagon	21"
Mercury	Sable	Wagon	21"
	Villager	Van	32"
Mitsubishi	Montero	4WD	32"
	Diamente	Wagon	21"
Nissan	Maxima	Wagon	21"
	Pathfinder	4WD	21"
	Quest	Van	32"
	Sentra	Wagon	21"
Oldsmobile	Bravada	4WD	21"
	Custom Cruiser	Wagon	21"
	Cutlas Cruiser	Wagon	21"
	Silhouette	Van	21"
Plymouth	Grand Voyager	Van	32"
	Voyager	Van	32"
Pontiac	6000	Wagon	21"
	Trans Sport	Van	21"
Rover	Defender	4WD	32"
	Rover	4WD	32"
Saturn	SW1	Wagon	21"
Subaru	Imprenza L	Wagon	21"
	Legacy	Wagon	21"
	Loyale	Wagon	21"
Suzuki	Samurai	4WD	21"
	Side Kick	4WD	21"
Toyota	4-Runner	4WD	21"
	Camary	Wagon	21"
	Corolla	Wagon	21"
	Land Cruiser	4WD	32"
	Previa	Van	32"
	Toyota Van	Van	32"
Volvo	T40	Wagon	21"
	850	Wagon	21"
	940	Wagon	21"
	240 till 93	Wagon	21"
	960	Wagon	21"
VW	Euro Van	Van	32"
	Golf	Wagon	21"
	Passat	Wagon	21"



Lititz, PA 17543
(717) 626-2125 • (800) 800-1819